

PR3015

ASSEMBLY INSTRUCTIONS

Getting started:

prepare a protection layer, a screwdriver

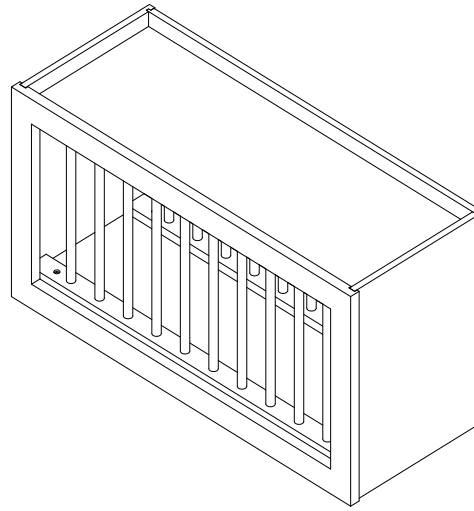
STEP 1: Joint side panel with back panel

STEP 2: Joint top panel with side panel

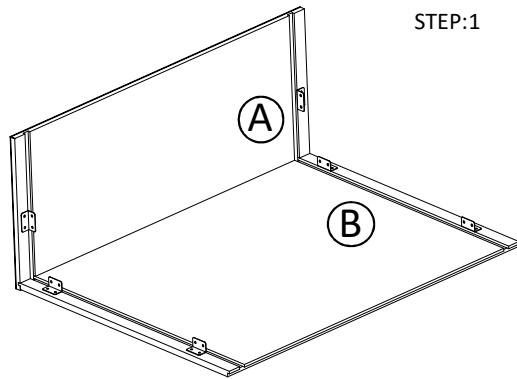
STEP 3: Joint bottom panel with side panel

STEP 4: Attach the dish rack on the both side

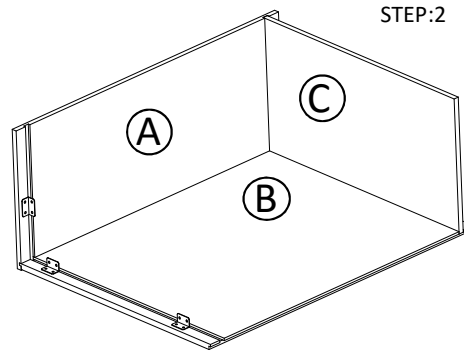
STEP 5: Attach front face frame on



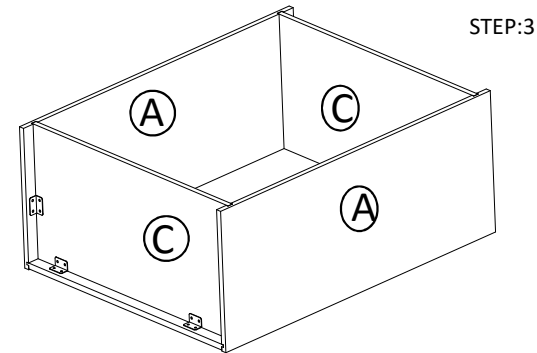
PARTS LIST		
NO.	Description	QTY
A	SIDE PANEL	2
B	BACK PANEL	1
C	TOP&BOTTOM PANEL	2
D	PLATE RACK	2
E	FACE FRAME	1




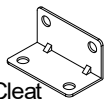

STEP:1



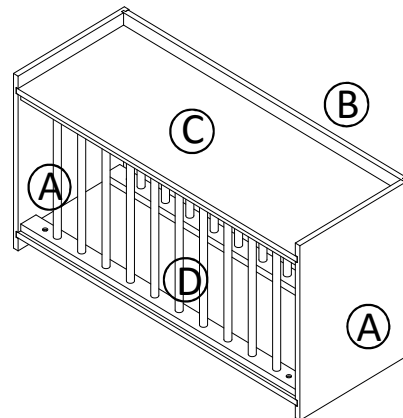
STEP:2



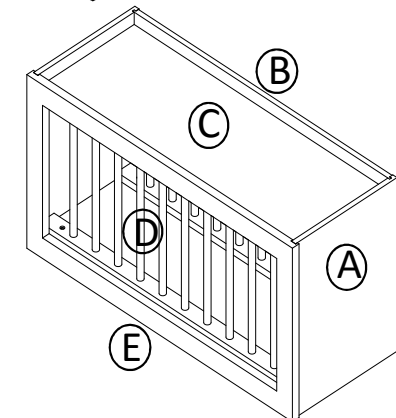
STEP:3

3	9/16" ROUND HEAD SCREW	48	 9/16" round head screw
2	CLEAT	12	 Cleat
1	1" FLAT HEAD SCREW FOR CARCASS	16	 1" flat head screw
NO.	Description	QTY	PICTURE

HARDWARE LIST



STEP:4



STEP:5