

B24,B27,B30,B33,B36,
ASSEMBLY INSTRUCTIONS

Getting started:

prepare a protection layer, a screwdriver

STEP 1: Joint side panel with back panel

STEP 2: Joint bottom panel with side panel

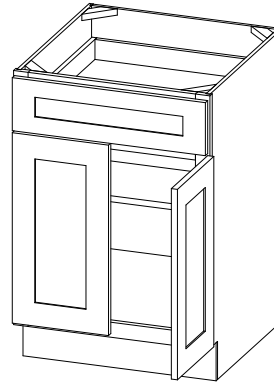
STEP 3: Joint side panel with bottom & back panel

STEP 4: Attach frame on and toekick board

STEP 5: Joint the drawer together, then install the drawer guide.

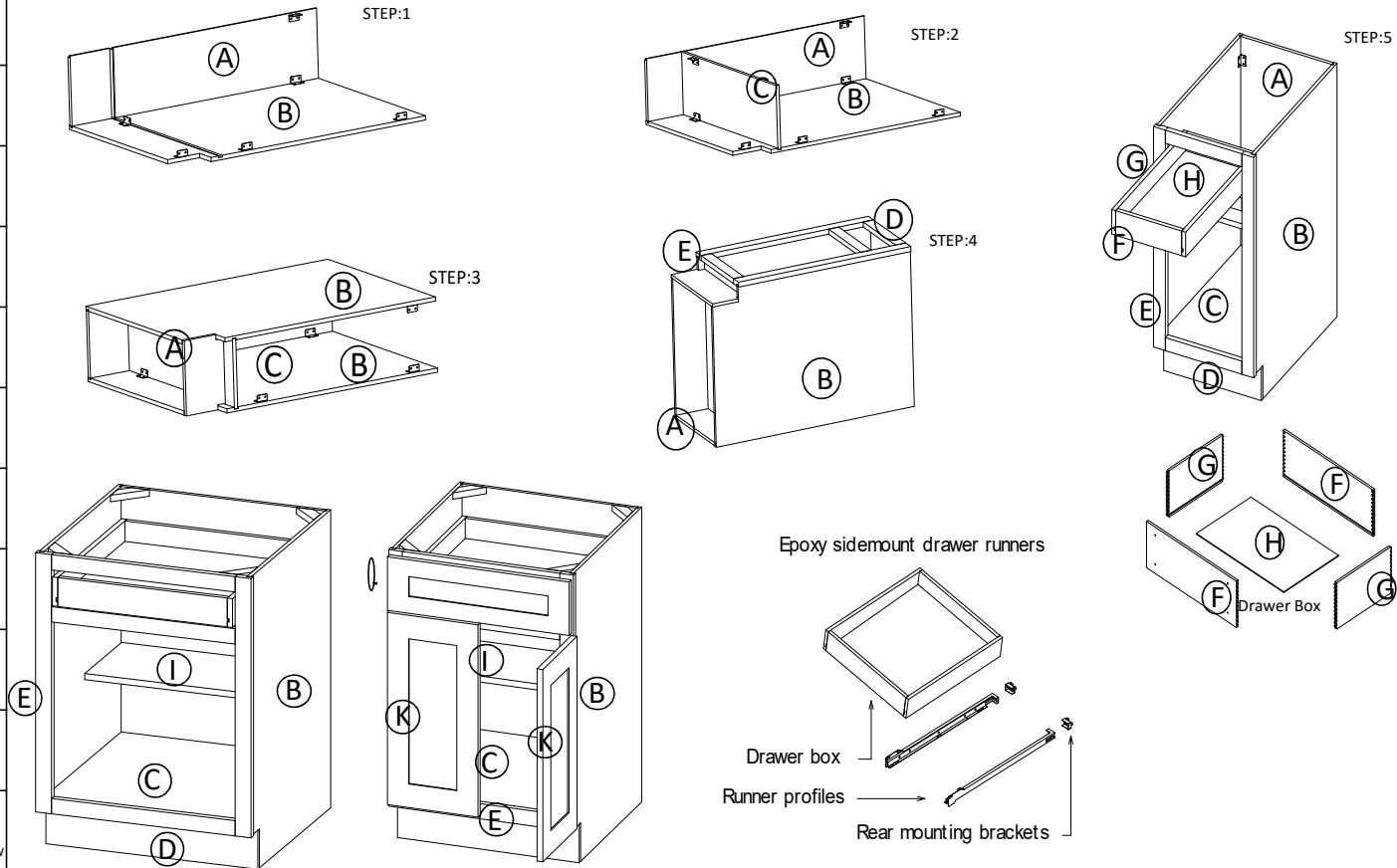
STEP 6: Attach the plastic block on the top corner, and put on the adjustable shelf

STEP 7: Fix drawer head on the drawer front and fix door onto the frame and adjust the cover-space



| PARTS LIST | | |
|------------|---------------------------|-----|
| NO. | Description | QTY |
| A | BACK PANEL | 1 |
| B | SIDE PANEL | 2 |
| C | TOP&BOTTOM PANEL | 1 |
| D | TOE KICK | 1 |
| E | FACE FRAME | 1 |
| F | DRAWER BOX FRONT AND BACK | 2 |
| G | DRAWER BOX SIDE | 2 |
| H | DRAWER BOX BOTTOM | 1 |
| I | ADJUSTABLE SHELF | 1 |
| J | DRAWER HEAD | 1 |
| K | CABINETS DOOR | 2 |

| | | | |
|----|--------------------------------|----|--|
| 11 | 1/2" HINGE | 4 | |
| 10 | 3/4" ROUND HEAD SCREW | 4 | |
| 9 | BUMPER | 8 | |
| 8 | 1" ROUND HEAD SCREW | 4 | |
| 7 | Epoxy Slide | 1 | |
| 6 | SHELF CLIP | 4 | |
| 5 | 9/16" ROUND HEAD SCREW | 44 | |
| 4 | CLEAT | 11 | |
| 3 | 1" FLAT HEAD SCREW FOR CARCASS | 11 | |
| 2 | Plastic Block | 4 | |
| 1 | 9/16" flat head screw | 18 | |



| NO. | Description | QTY | PICTURE |
|---------------|-------------|-----|---------|
| HARDWARE LIST | | | |